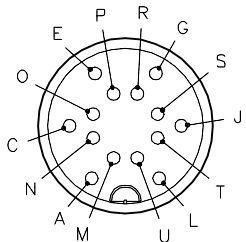


MALE END VIEW

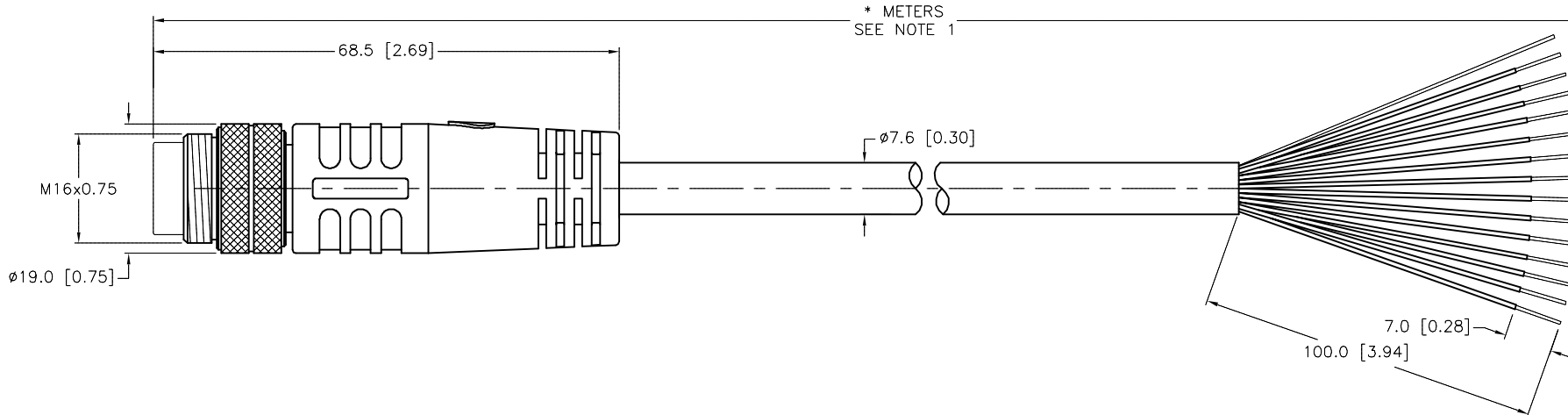


- A = BROWN
- C = RED/BLUE
- E = BLACK
- G = PINK
- J = GREEN
- L = BLUE
- M = ORANGE
- N = GREY/BROWN
- O = VIOLET
- P = WHITE
- R = RED
- S = GREY
- T = YELLOW
- U = TAN

M16 connector

SPECIFICATIONS

MOLDED HEAD MATERIAL/COLOR	TPU/YELLOW
CONTACT CARRIER MATERIAL/COLOR	TPU/BLACK
CONTACT MATERIAL/PLATING	BRASS/GOLD
COUPLING NUT MATERIAL/PLATING	BRASS/NICKEL
RATED CURRENT [A]	3.0 A
RATED VOLTAGE [V]	30 VAC/VDC
OUTER JACKET MATERIAL/COLOR	TPU/BLACK
CONDUCTOR INSULATION MATERIAL	PVC
NUMBER OF CONDUCTORS [AWG]	14x22 AWG
DRAIN/SHIELD	24 AWG DRAIN/ALUMINUM FOIL SHIELD
TEMPERATURE RANGE	-40°C TO +90°C (-40°F TO +194°F)
PROTECTION CLASS	MEETS IEC IP67



CABLE LENGTH	TOLERANCE*
ALL LENGTHS	+ 4% (OR 50mm) OF LENGTH - 0% (OR 0mm) OF LENGTH WHICHEVER IS GREATER
STRIP LENGTH	TOLERANCE*
0-7mm	±0.5mm
8-29mm	±1.0mm
30-49mm	±2.0mm
50-69mm	±3.0mm
70-100mm	±4.0mm
OVER 100mm	±5.0mm

***UNLESS OTHERWISE SPECIFIED**

NOTES:

1. "*" INDICATES CABLE LENGTH IN METERS. CONTACT TURCK TO ORDER SPECIFIC LENGTHS.

SOURCE DRAWING - FOR REFERENCE ONLY

RELATED DOCUMENTS		3RD ANGLE PROJECTION		THIS DRAWING IS CONFIDENTIAL AND THE PROPERTY OF TURCK INC. USE OF THIS DOCUMENT WITHOUT WRITTEN PERMISSION IS PROHIBITED.		3000 CAMPUS DRIVE MINNEAPOLIS, MN 55441 1-800-544-7769 (763) 553-7300 (763) 553-0708 fax turck.com		
1.			ALL DIMENSIONS DISPLAYED ON THIS DRAWING ARE FOR REFERENCE ONLY	DRFT	JB	DATE	07/21/03	
2.				APVD		SCALE	1=1.0	DESCRIPTION
3.		UNIT OF MEASUREMENT		MILLIMETER [INCH]		IDENTIFICATION NO.		REV
4.		CONTACT TURCK FOR MORE INFORMATION		DO NOT SCALE THIS DRAWING		FILE: 777002137		G
MATERIAL		SEE SPECIFICATIONS		SEE SPECIFICATIONS		REV		

G	UPDATE TEMPERATURE SPEC	RDS	06/16/14	46230
REV	DESCRIPTION	BY	DATE	ECO NO.